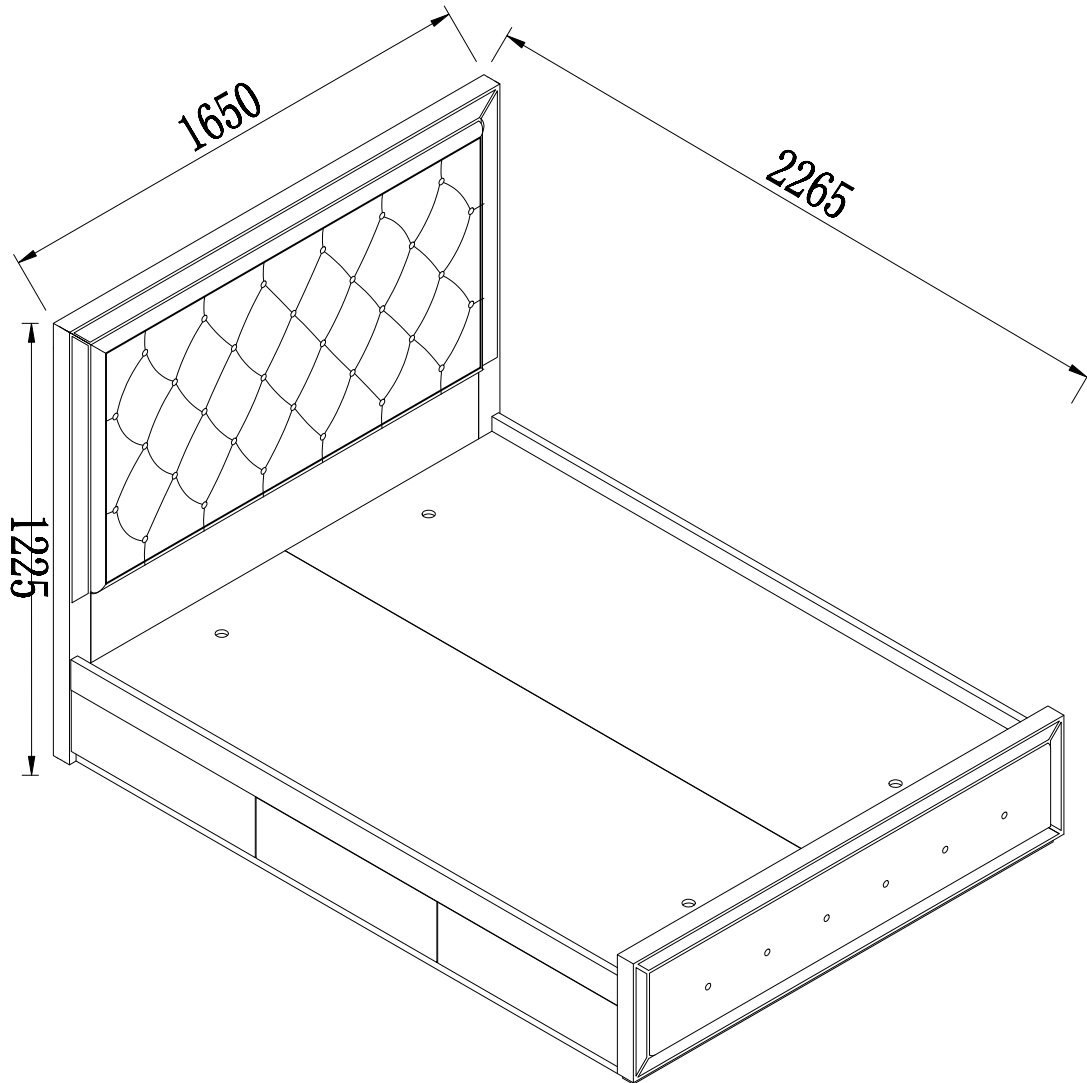




ASSEMBLY INSTRUCTION
ISMENE QUEEN BED
ITEM CODE 83633

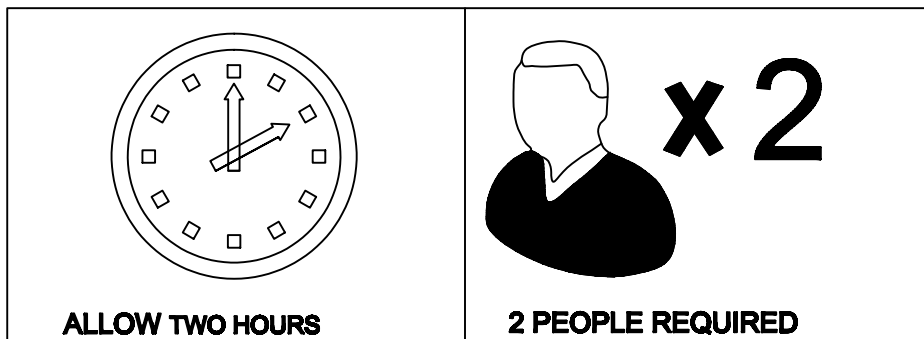


Imported by Amart Furniture Pty Ltd. Qld. Brisbane Australia.
For any assistance with assembly or for missing parts please phone Amart Furniture
Customer Service Free call 1800 351 084

PRE-ASSEMBLY PREPARATION

Before you start:

1. Choose a clean, level, spacious assembly area. Avoid hard surfaces that may damage the product
2. Take care when lifting. Product should be assembled as near as possible to the point of use
3. Ensure that you have all required contents for complete assembly.
4. Always read the assembly instructions carefully before beginning assembly.
5. Keep all hardware parts and packaging out of reach of small children.
6. Do not over tighten the screws and bolts as this may damage the threads

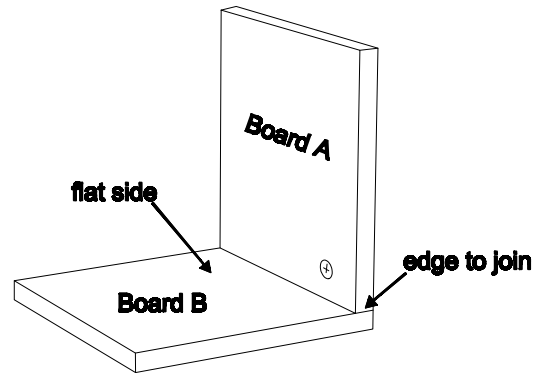
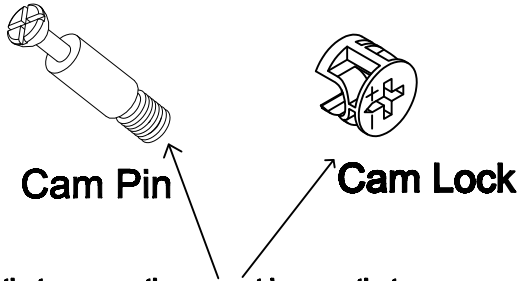


CAM Lock and Pins

step 1

HOW TO USE CAM LOCK FASTENERS

To assemble this product hardware called Cam Lock Fasteners are used. The below is information on how these work. Cam Locks are fasteners used to join two boards together, usually the edge of one board(A) to the flat side of another board(B)



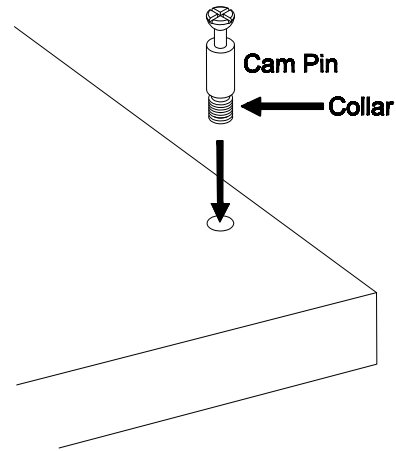
Ensure that you use the correct images that are representative of the hardware used in the product

step 2

To use Cam Lock Fasteners

The Cam Pin is inserted into the flat side of a board, it is important that:

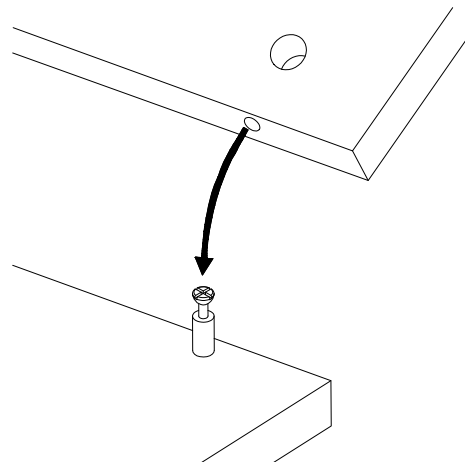
- * The cam pin is kept vertical and is not put in on an angle
- * Cam Pin is inserted up to the collar
 - * Too far and it wont catch the Cam Lock (Do not Over Tighten)
 - * Not enough and the resulting product wont be stable



step 3

To use Cam Lock Fasteners

Now fit the hole in the edge of the joining board over the Cam Pin

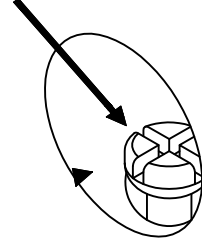


step 4

To use Cam Lock Fasteners

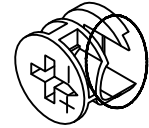
The Head of the Cam Pin will be visible in the large hole on the side of the joining board

head of the Cam Pin



To use Cam Lock Fasteners

Notice the Cam Lock has a "C" Shaped back An Arrow or +/- signs on the front, indicated the open section on the back of the Cam Pin



Cam Lock

step 5

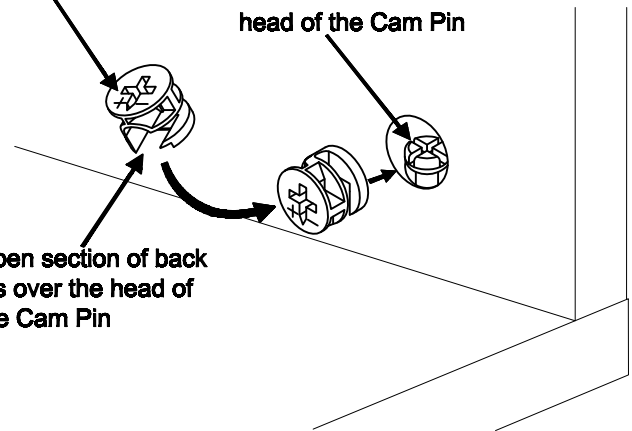
To use Cam Lock Fasteners

In sert the Cam Lock into the large hole so the opening of the "C" fits over the head of the Cam Pin. You must ensure that the Cam Lock is pushed to the bottom of the hole to catch the top of the Cam Pin

Arrow or +/- signs

head of the Cam Pin

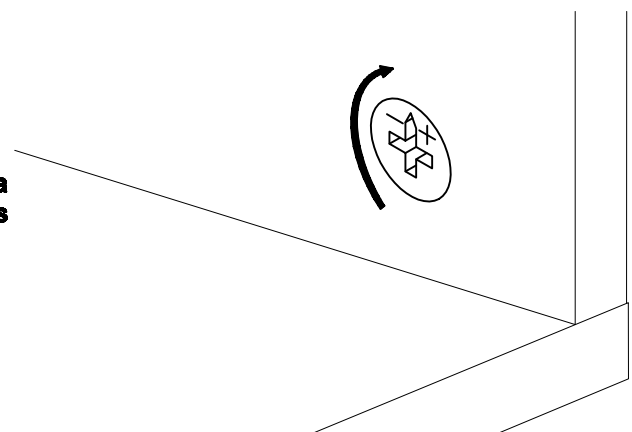
Open section of back fits over the head of the Cam Pin



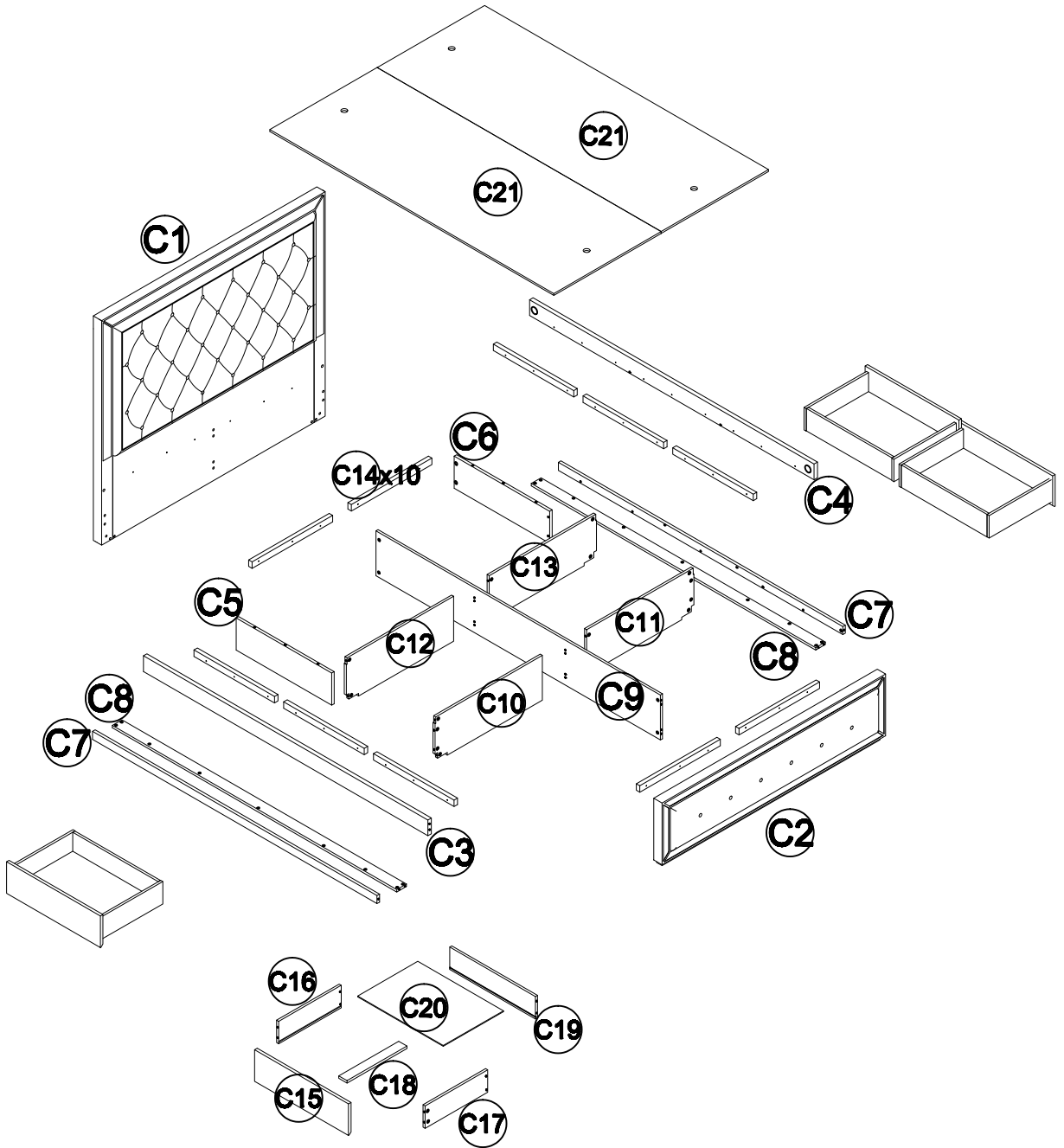
step 6

To use Cam Lock Fasteners


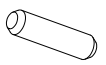











Use a flat screwdriver to turn the Cam Lock clockwise one half a turn so it Locks onto the head of the Cam Pin. Turn only until it is snug-over-tightening could cause the Cam to bend or break. If it will not turn the full amount, turn the Cam Pin out (counter-clockwise) one full turn, and try the Cam Lock again.



PARTS LIST



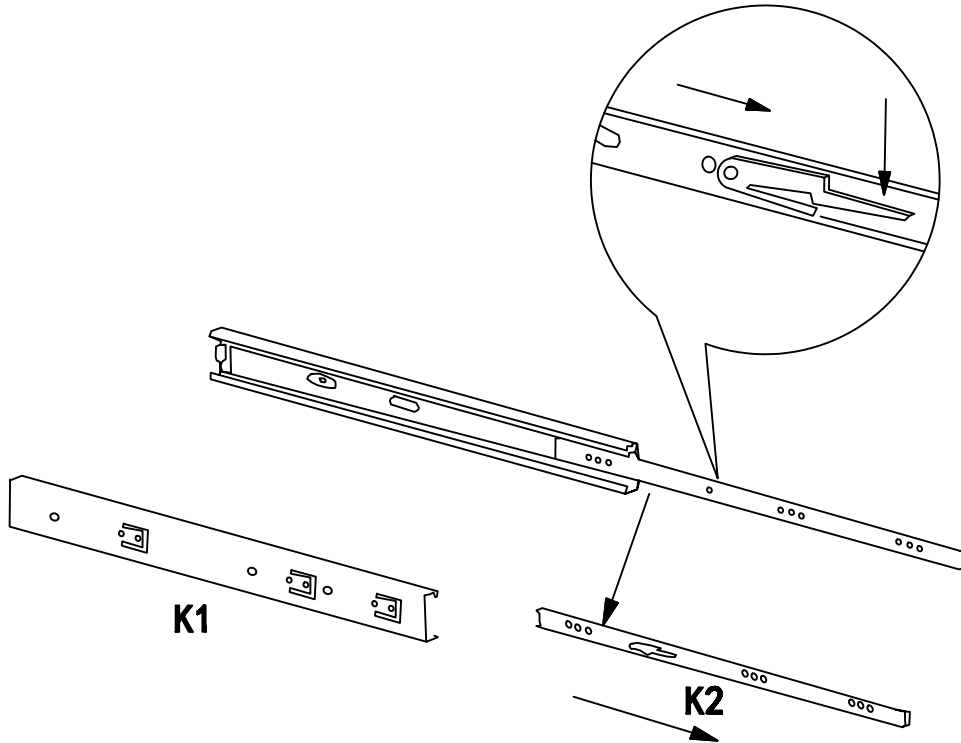
C1	Headboard	C12	Support Panel
C2	Footboard	C13	Support Panel
C3	Side Rail	C14	Support Rail
C4	Side Rail	C15	Drawer Front Panel
C5	Support Panel	C16	Drawer Left Panel
C6	:Support Panel	C17	Drawer Right Panel
C7	Side Railnel	C18	Support Panel
C8	Side Railnel	C19	Drawer Back Panel
C9	Support Panel	C20	Drawer Bottom Panel
C10	Support Panel	C21	Bottom Panel
C11	Support Panel		

<input type="checkbox"/> A.Cam lock and Cam pin Ø15x38  80PCS	<input type="checkbox"/> B.Dowel Ø6x30  12PCS	<input type="checkbox"/> C.Screw Φ4x35  30PCS	<input type="checkbox"/> D.Bolt Ø6x65  4PCS	<input type="checkbox"/> E.Half Round Nuts M8  4PCS	<input type="checkbox"/> F.Hexagonal Nuts M8  4PCS	<input type="checkbox"/> G.Cover Ø38  4PCS
<input type="checkbox"/> H.Wrench M14  1PCE	<input type="checkbox"/> I.Screw M3.5x30  24PCS	<input type="checkbox"/> J.Screw M3.5x12  48PCS	<input type="checkbox"/> K.Runner 300mm  8PCS	<input type="checkbox"/> L.Protect Foam 20X14X5mm  20PCS	<input type="checkbox"/> M.GLUE  1PCE	

STEP 1:

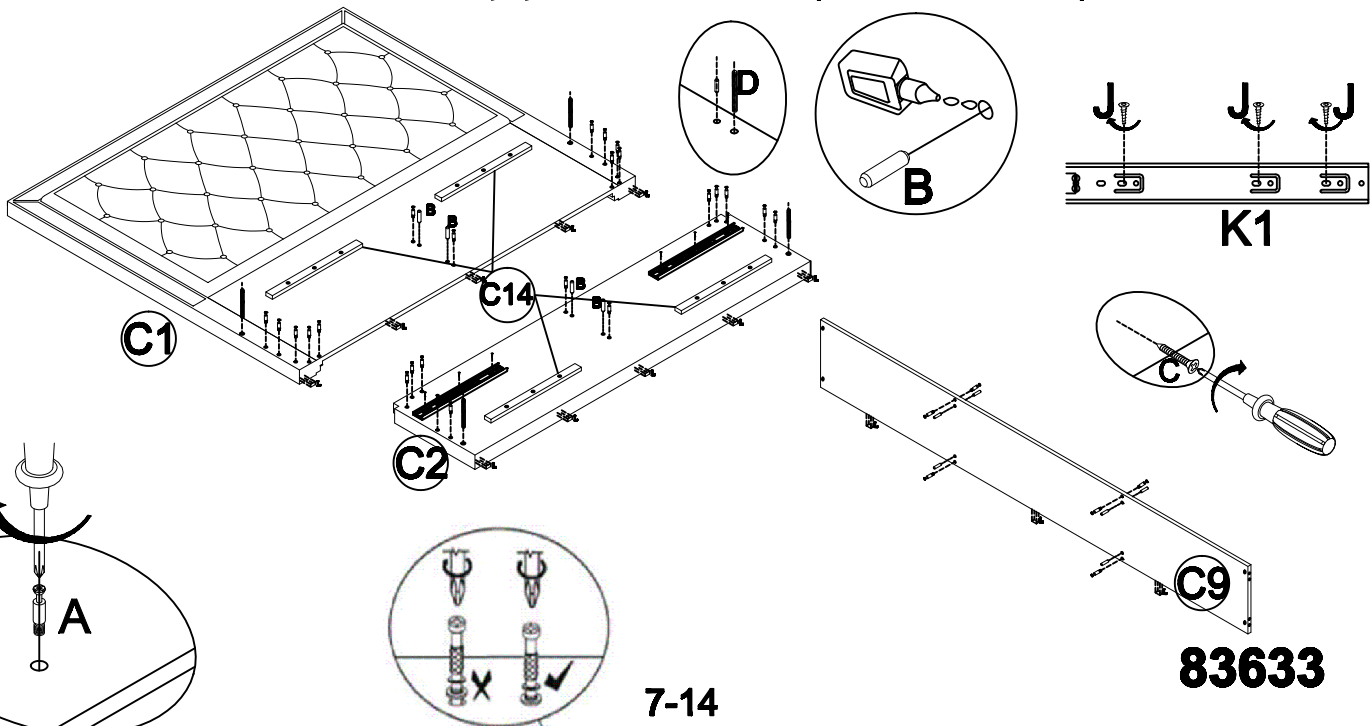
Runner slide separately (K=K1+K2)

Carefully pull out the runner slide (K2) and press plastic clip to fully separate runner slide as diagram shown



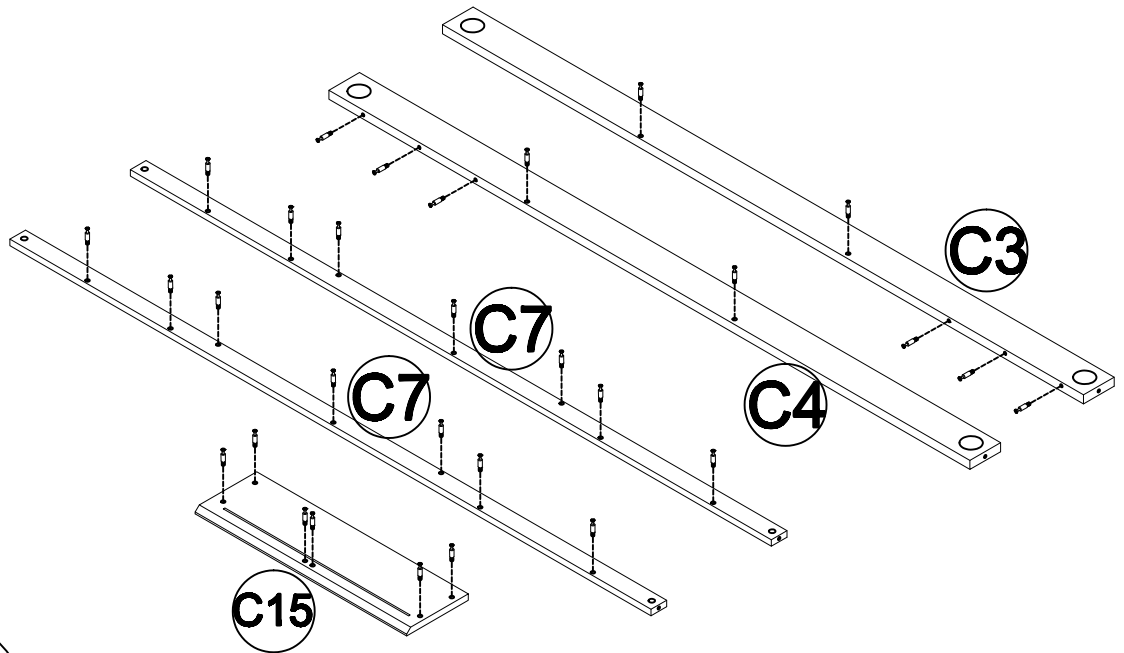
STEP 2:

Attach Cam Pin(A) and Dowel(B) and Bolt(D) to Panel(C1&C2&C9). Attach Runner(K1) to Panel(C2) with Screw(J). Attach Panel(C14) to Panel(C3&C4) with Screw(C). Attach the Protect Foam(L) in the Panel(C1&C2&C9).



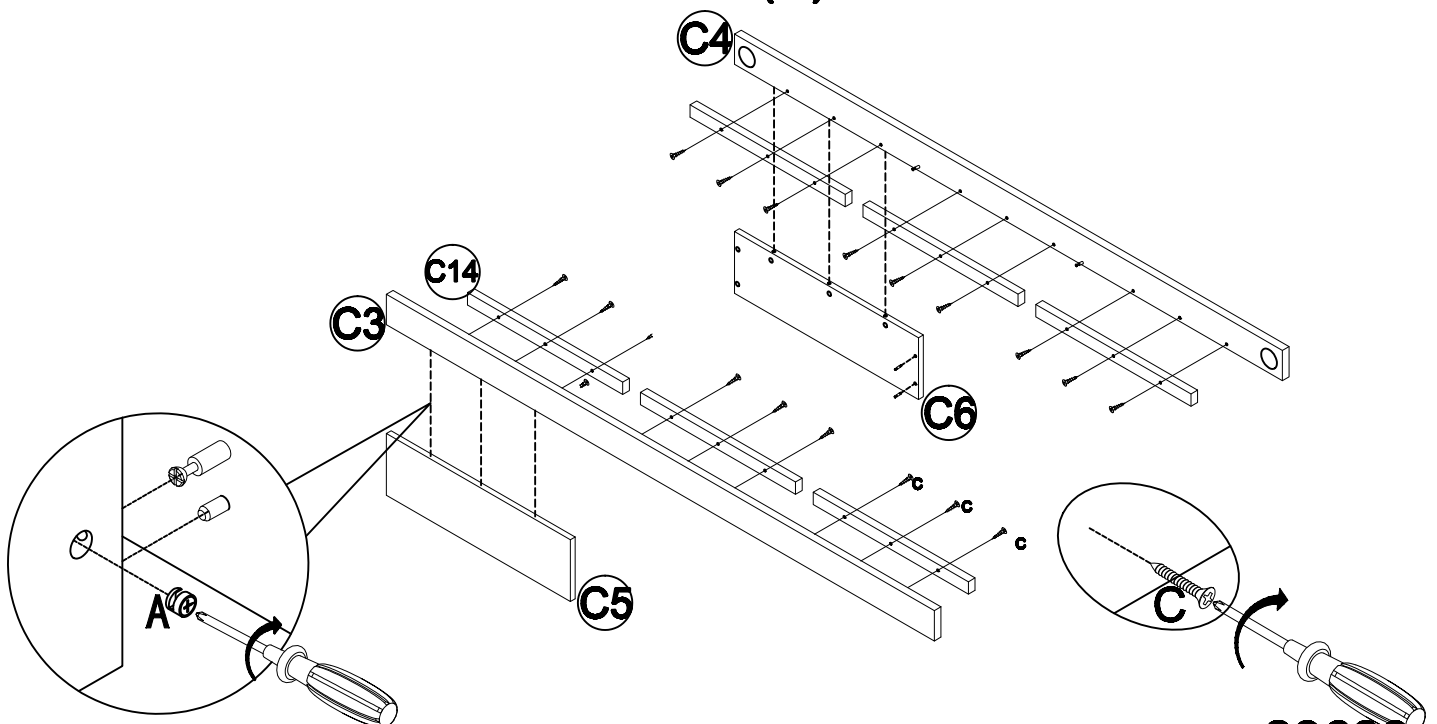
STEP 2:

Attach Cam Pin(A) to Panel(C3&C4&C7&15).



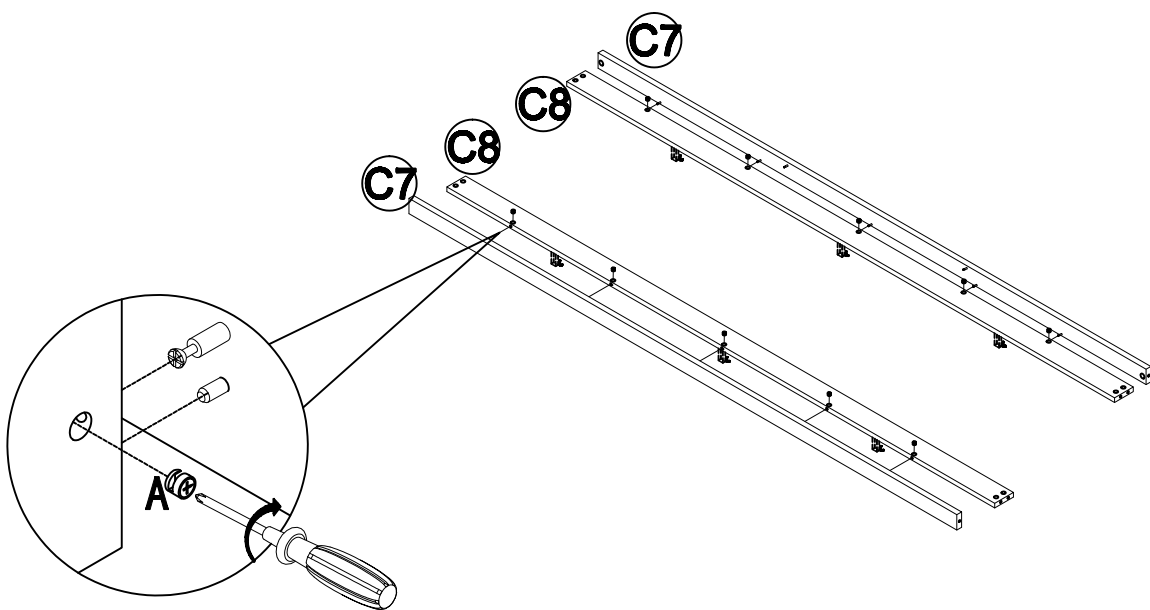
STEP 4:

Attach Panel(C14) to Panel(C3&C4) with Screw(C). Attach Panel(C5&C6) to Panel(C3&C4). And turn Cam lock(A) to lock into the head of Cam Pin(A).



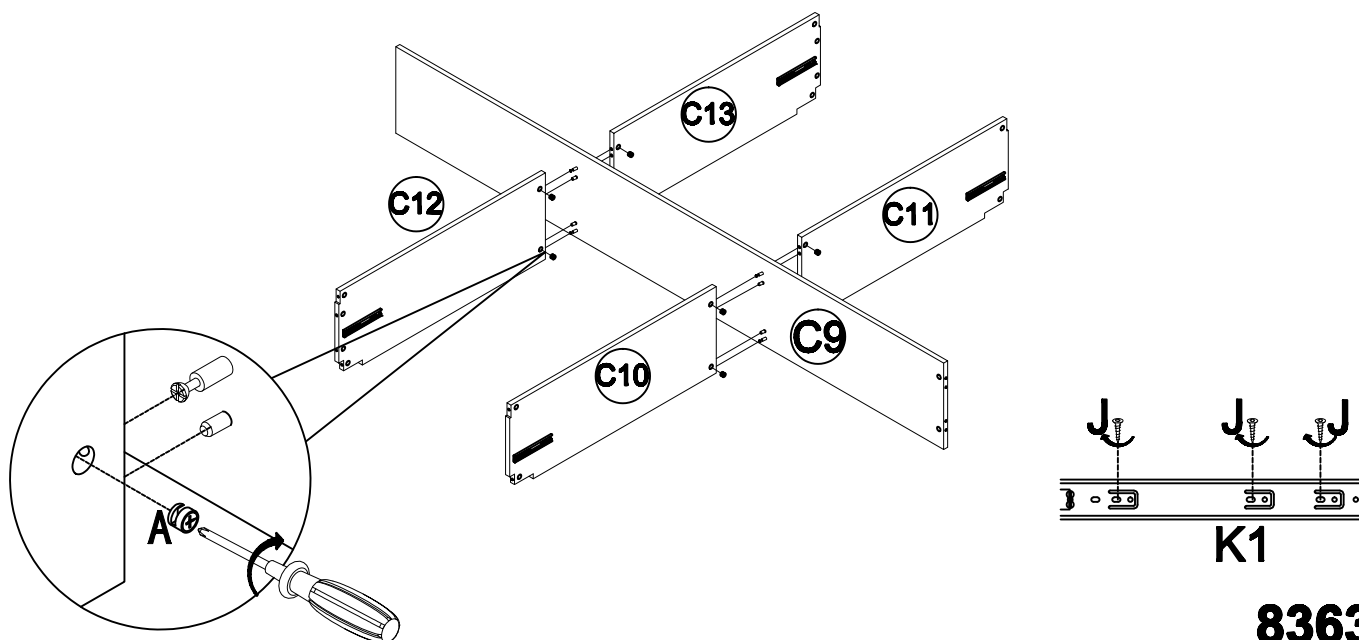
STEP 5:

Attach Panel(C7) to Panel(C8). And turn Cam lock(A) to lock into the head of Cam Pin(A).



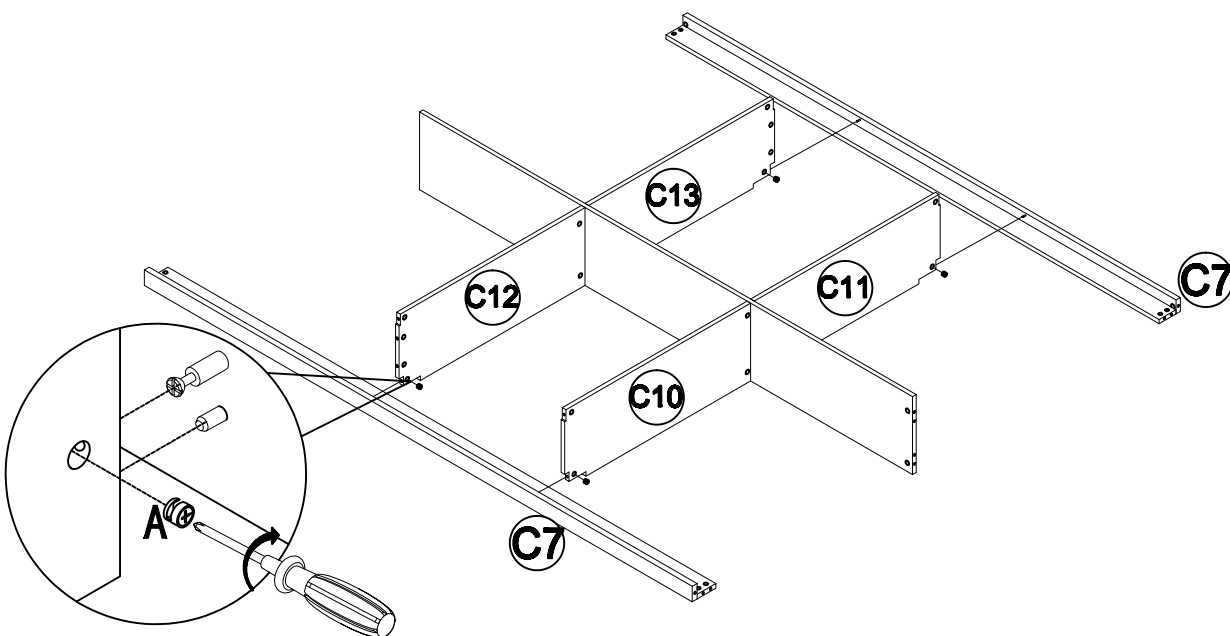
STEP 6:

Attach Runner(K1) to Panel (C10&C11&C12&C13) with Screw(J). Attach Panel(C10&C11&C12&C13) to Panel(C9). And turn Cam lock(A) to lock into the head of Cam Pin(A).



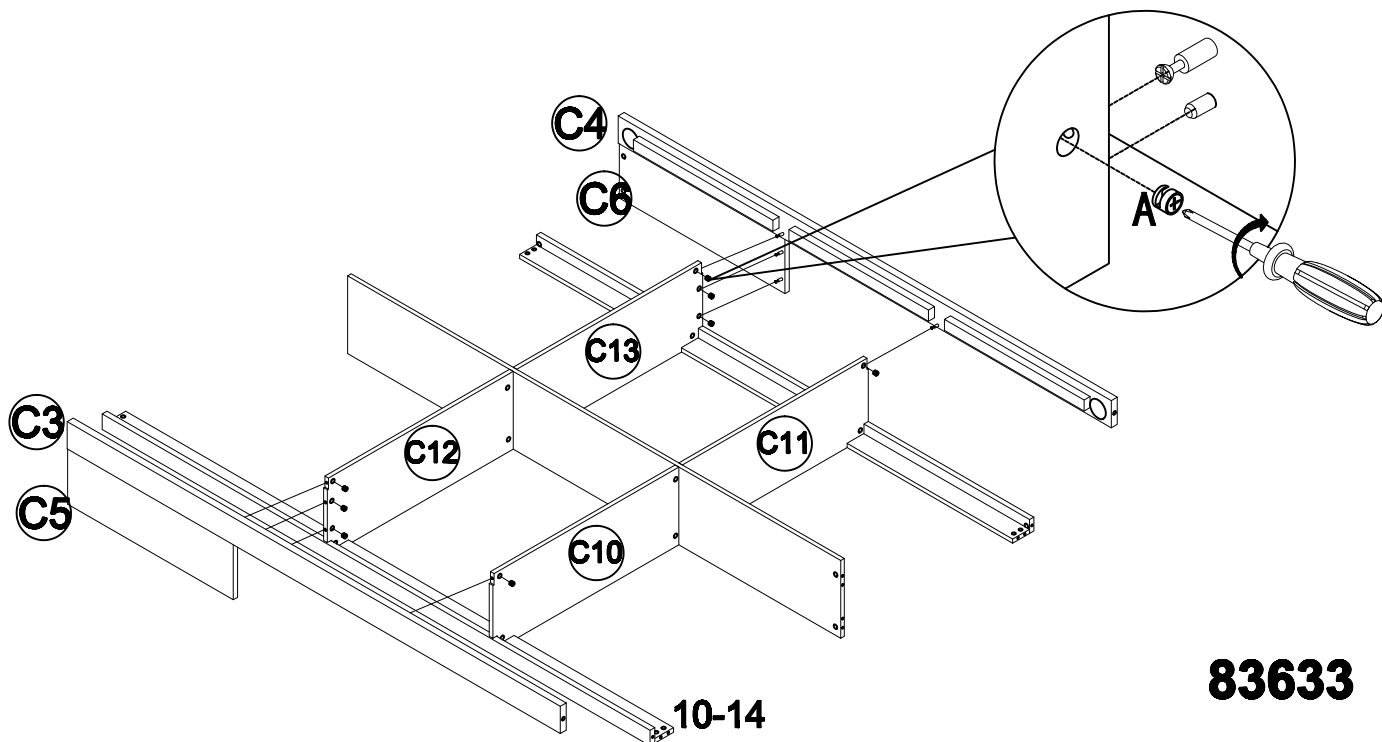
STEP 7:

Attach Panel(C7) to Panel(C10&C11&C12&C13). And turn Cam lock(A) to lock into the head of Cam Pin(A).



STEP 8:

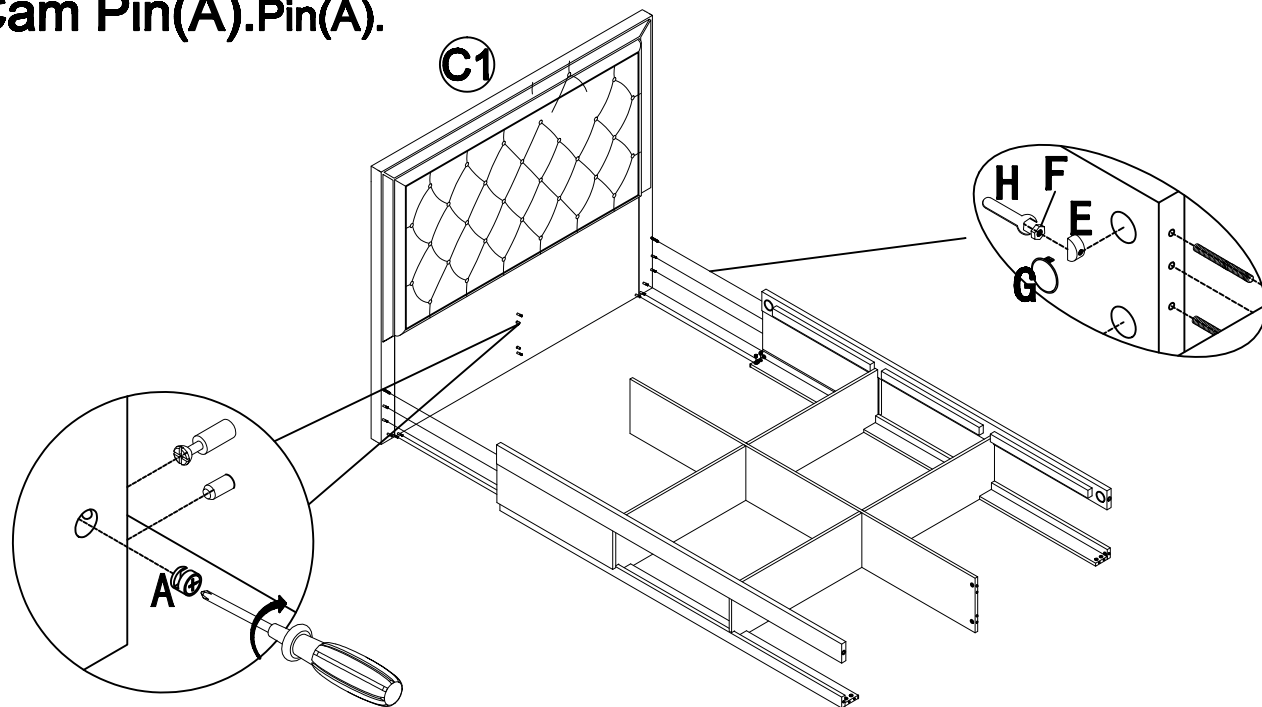
Attach Panel(C5&C6) to Panel(C3&C4).And attach Panel (C3&C4&C5&C6) to Panel(C10&C11&C12&C13). And turn Cam lock(A) to lock into the head of Cam Pin(A).



83633

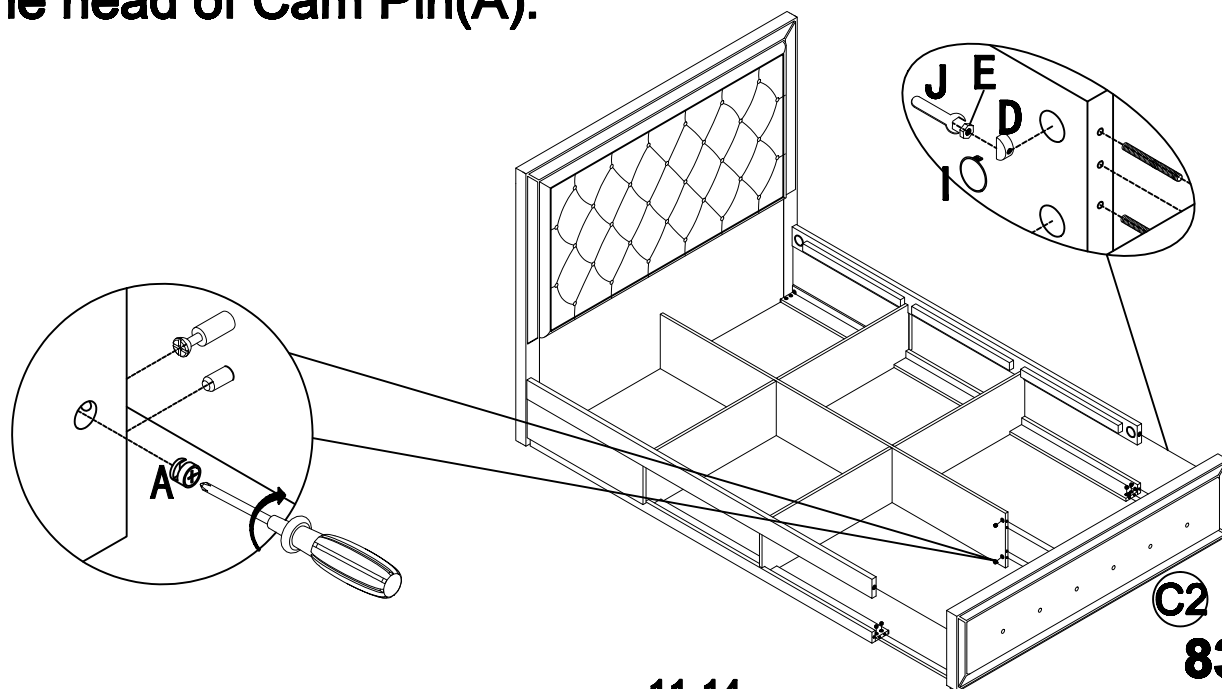
STEP 9:

Use Wrench(H) to attach Panel(C3&C4&C5&C6&C9) to Panel(C1) with Half Round Nuts(E) and Hexagonal Nuts(F). And turn Cam lock(A) to lock into the head of Cam Pin(A).Pin(A).



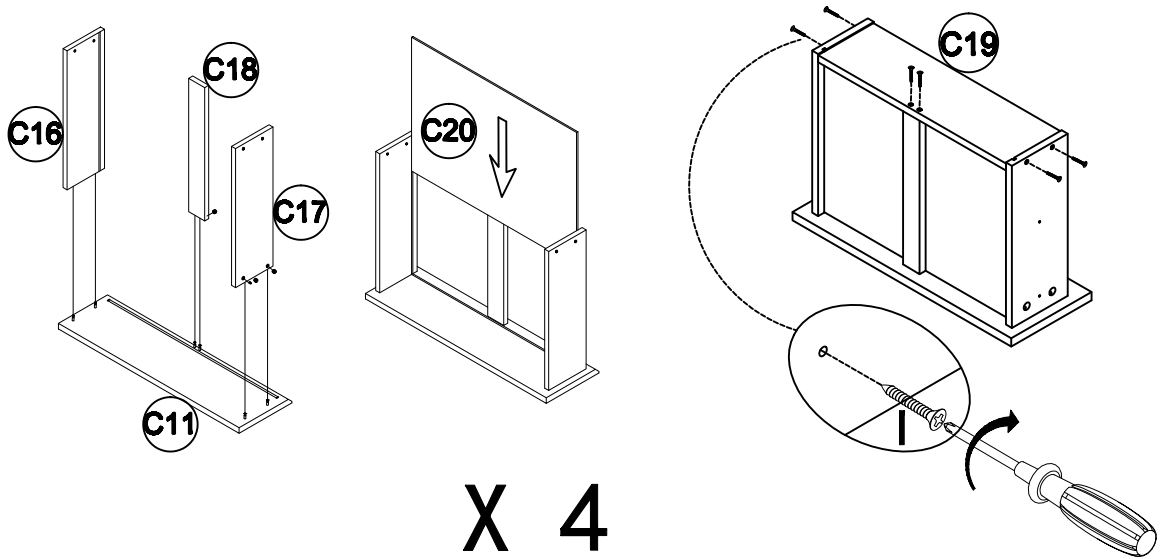
STEP 10:

Use Wrench(H) to attach Panel(C2) to Panel ((C3&C4&C9&C7&C8) with Half Round Nuts(E) and Hexagonal Nuts(F). And turn Cam lock(A) to lock into the head of Cam Pin(A).



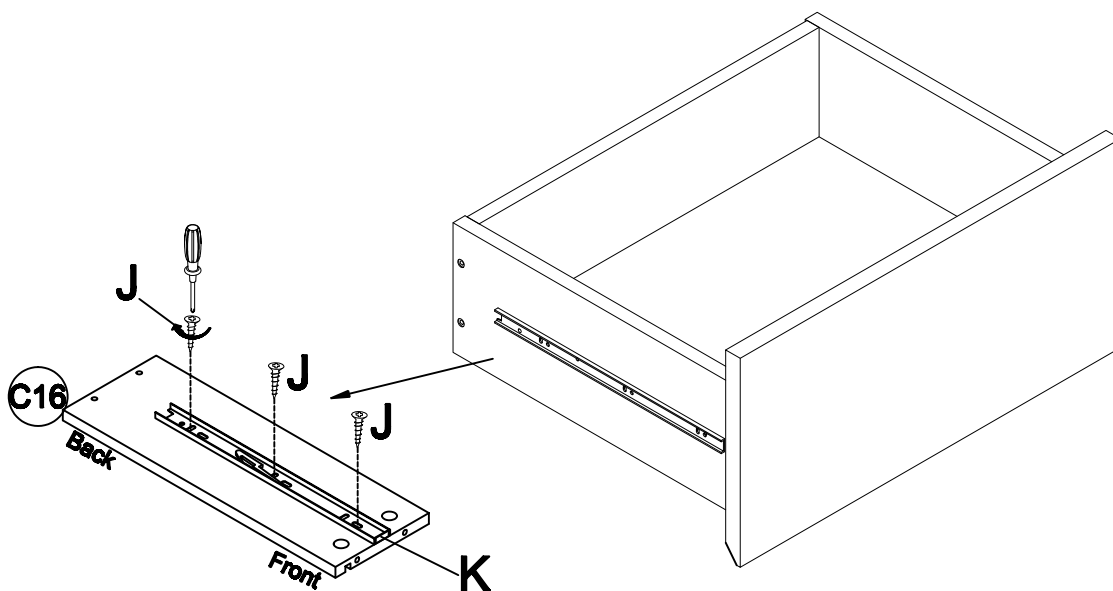
STEP 11:

Attach Panel(C16&C17&C18) to Panel(C11). And turn Cam lock(A) to lock into the head of Cam Pin(A). Insert Panel(C20) to groove. Attach Panel(C19) to Panel (C16&C17) with Screw(I).



STEP 12:

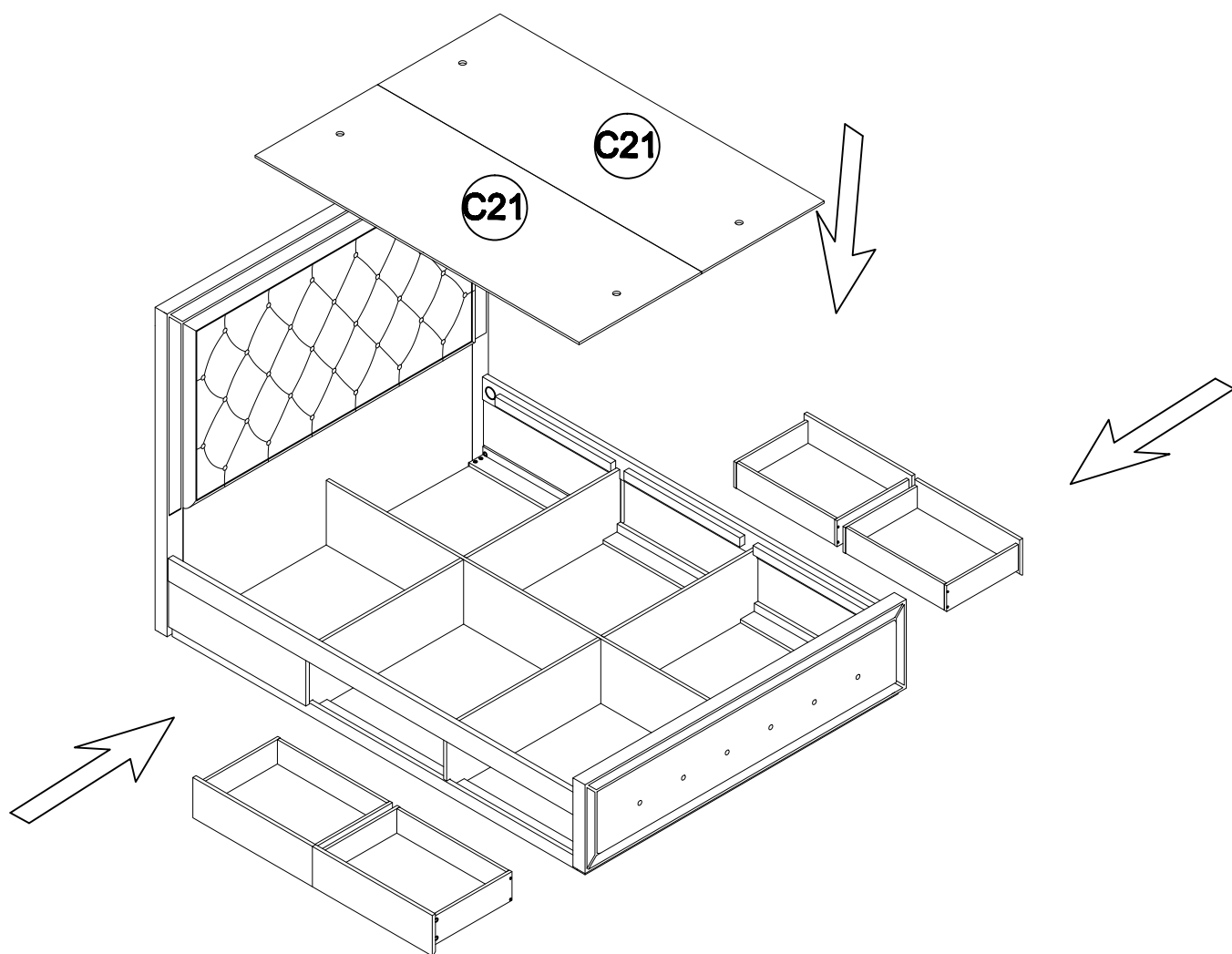
Attach Runner(K2) to Panel(C16&C17) with Screw(J).



X 4

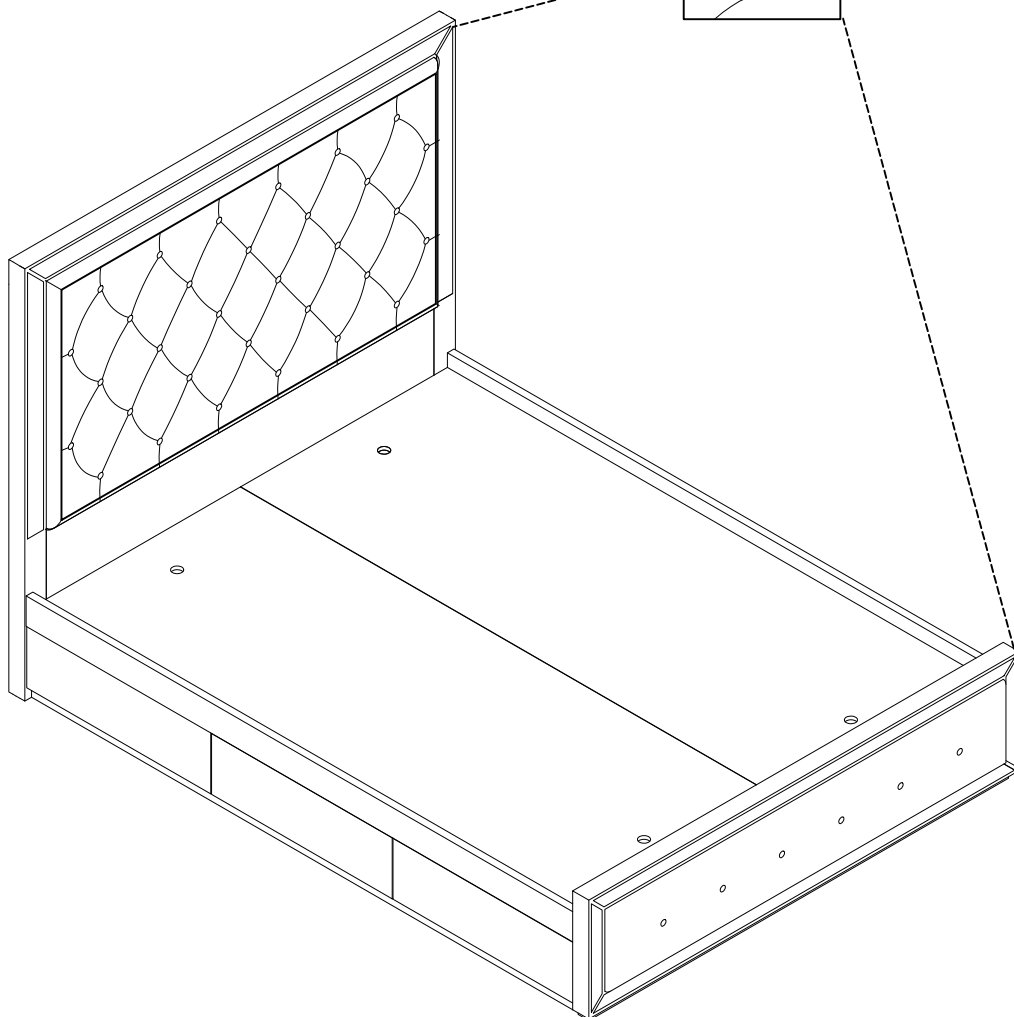
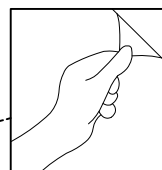
83633

STEP 13:
Insert Drawers into body. And put the Panel(C21) to body.



Assembly is complete

**PLEASE PEEL OFF THE
PROTECTIVE LAYER THAT
COVERED THE MIRROR
PANEL AROUND Headboard C1
and Footboard C2.**



General Product Care

To protect your furniture, we suggest the following:

- Avoid placing your furniture in direct sunlight.
- Do not place furniture directly under windows.
- Do not place sharp materials (knife, fork, etc.) directly onto your furniture as sharp material may scrape and damage the finish.
- Do not place material with high temperature directly onto the surface of your furniture.
- Clean up spills quickly. Water left over a prolonged period of time may cause damage. Alcohol, perfume, nail polishes, aftershave and some medication may cause severe finish damage if not cleaned immediately.
- Use a clean, soft, dry, lint free absorbent cloth to clean your furniture. Do not use any detergent as they may contain ingredients that may react and damage the finish.